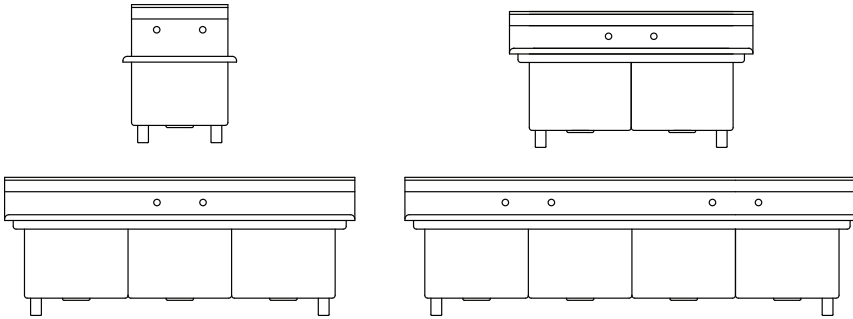




SINKS



COMPARTMENT SINKS WITHOUT DRAINBOARDS



Item #:

Qty #:

Model #:

Project #:

SINK FEATURES:

Fully fabricated bowl for the full metal thickness throughout the bowl and greater durability than a drawn sink

9" high backsplash, with 2" return to wall at 45 degrees with easy installation tile edging

2 1/2 high. 180 degree sanitary rolled rim at all free edges

Leg assemblies located directly under the sink bowls for greater load support

Legs are 1 5/8" diameter tubing with adjustable bullet feet

All corners are covered at 5/8" radius, welded and polished to form a one-piece sanitary unit

All sinks are furnished with basket drains and 1" faucet holes punched in backsplash on 8" centers as required

Sinks with drainboards 30" and longer have additional legs under each drainboard for added strength

SINK OPTIONS:

PARAMOUNT SERIES

- 14 Gauge type 304 stainless steel
- 12" bowl depth
- Stainless steel legs & crossrails
- NSF listed

STANDARD SERIES

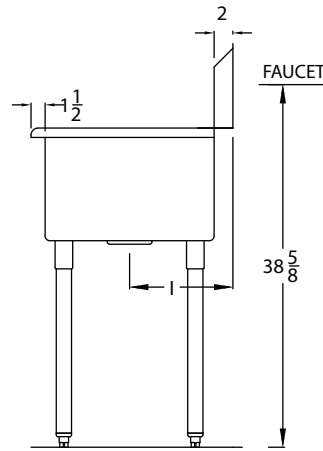
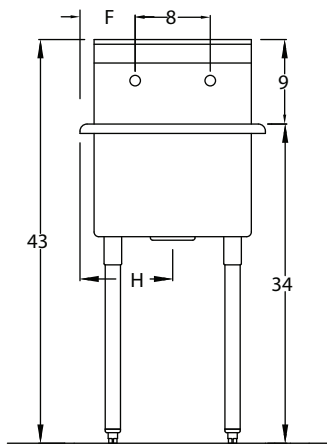
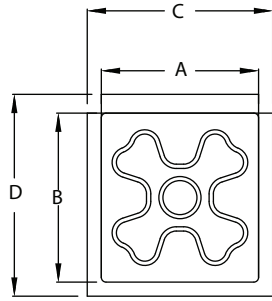
- 16 gauge type 304 stainless steel
- 12" bowl depth
- Galvanized legs (stainless steel available)
- NSF listed

ECONOMY SERIES

- 18 gauge 304 tubs
- 12" bowl depth
- Galvanized legs (stainless steel available)
- NSF listed

BOWL SIZE	DIMENSIONS		PARAMOUNT		STANDARD		ECONOMY	
	# OF BOWLS	O. A. DIM.	MODEL	WT.	MODEL	WT.	MODEL	WT.
18 X 18	1	21" X 21 3/4"	RJ-P-1-1818	50	RJ-S-1-1818	45	RJ-E-1-1818	30
	2	43" X 24"	RJ-P-2-1818	80	RJ-S-2-1818	75	RJ-E-2-1818	65
	3	61" X 24"	RJ-P-3-1818	122	RJ-S-3-1818	105	RJ-E-3-1818	88
	4	19" X 24"	RJ-P-4-1818	160	RJ-S-4-1818	140	N/A	N/A
18 X 24	1	24" X 27 3/4"	RJ-P-1-1824	59	RJ-S-1-1824	52	RJ-E-1-1824	34
	2	43" X 30"	RJ-P-2-1824	102	RJ-S-2-1824	90	RJ-E-2-1824	70
	3	61" X 30"	RJ-P-3-1824	148	RJ-S-3-1824	125	RJ-E-3-1824	105
	4	79" X 30"	RJ-P-4-1824	195	RJ-S-4-1824	170	N/A	N/A
20 X 20	1	23" X 23 3/4"	RJ-P-1-2020	55	RJ-S-1-2020	55	RJ-E-1-2020	35
	2	47" X 26"	RJ-P-2-2020	95	RJ-S-2-2020	95	RJ-E-2-2020	72
	3	67" X 26"	RJ-P-3-2020	145	RJ-S-3-2020	133	RJ-E-3-2020	93
	4	87" X 26"	RJ-P-4-2020	200	RJ-S-4-2020	173	N/A	N/A
24 X 24	1	27" X 27 3/4"	RJ-P-1-2424	67	RJ-S-1-2424	60	RJ-E-1-2424	40
	2	55" X 30"	RJ-P-2-2424	126	RJ-S-2-2424	105	RJ-E-2-2424	82
	3	79" X 30"	RJ-P-3-2424	180	RJ-S-3-2424	150	RJ-E-3-2424	127
	4	103" X 30"	RJ-P-4-2424	240	RJ-S-4-2424	198	N/A	N/A
20 X 28	3	67" X 34"	RJ-P-3-2028	170	RJ-S-3-2028	180	N/A	N/A
	4	87" X 34"	RJ-P-4-2028	220	RJ-S-4-2028	190	N/A	N/A
24 X 30	1	27" X 33 3/4"	RJ-P-1-2430	75	RJ-S-1-2430	70	N/A	N/A
	2	55" X 36"	RJ-P-2-2430	145	RJ-S-2-2430	122	N/A	N/A
	3	79" X 36"	RJ-P-3-2430	185	RJ-S-3-2430	185	N/A	N/A
	4	96" X 36"	RJ-P-4-2430	280	RJ-S-4-2430	235	N/A	N/A

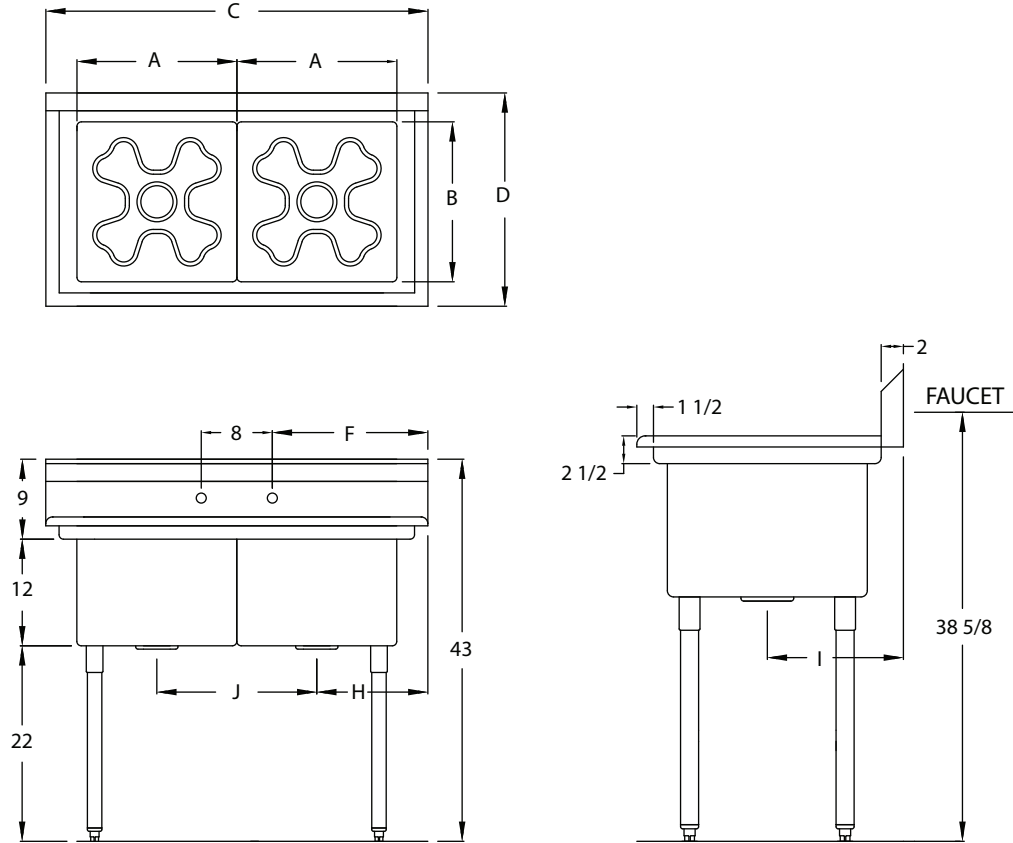
DIMENSIONS & SPECIFICATIONS



DIMENSIONS ARE TYPICAL (TOL. +/- 1/2").

MODEL	A	B	C	D	E	F	G	H	I	J
RJ-1-1818	17	18	20	21 1/2	N/A	6	N/A	10	11	N/A
RJ-1-1824	17	24	20	27 1/2	N/A	6	N/A	10	14	N/A
RJ-1-2020	19	20	22	23 1/2	N/A	7	N/A	11	12	N/A
RJ-1-2424	23	24	26	27 1/2	N/A	9	N/A	13	14	N/A
RJ-1-2430	23	30	26	33 1/2	N/A	9	N/A	13	17	N/A

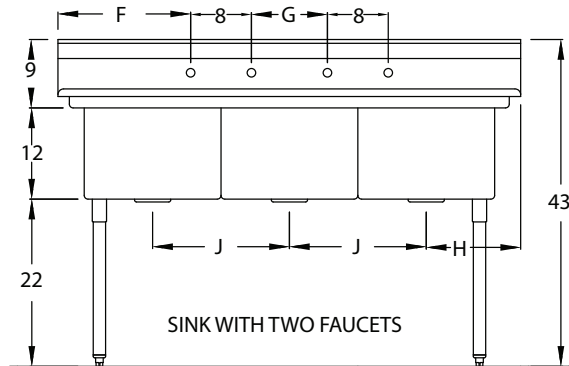
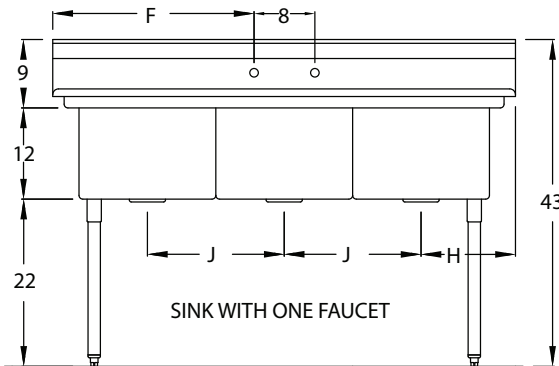
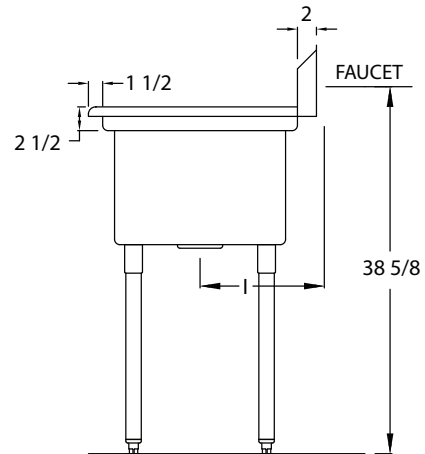
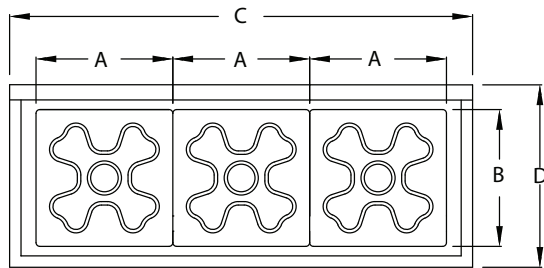
DIMENSIONS & SPECIFICATIONS



DIMENSIONS ARE TYPICAL (TOL. +/- 1/2")

MODEL	A	B	C	D	E	F	G	H	I	J
RJ-2-1818	18	18	43	24	N/A	17 1/2	N/A	12 1/2	12 1/4	18
RJ-2-1824	18	24	43	30	N/A	17 1/2	N/A	12 1/2	15 1/4	18
RJ-2-2020	20	20	47	26	N/A	19 1/2	N/A	13 1/2	13 1/4	20
RJ-2-2424	24	24	55	30	N/A	23 1/2	N/A	15 1/2	15 1/4	24
RJ-2-2430	24	30	55	36	N/A	23 1/2	N/A	15 1/2	18 1/4	24

DIMENSIONS & SPECIFICATIONS

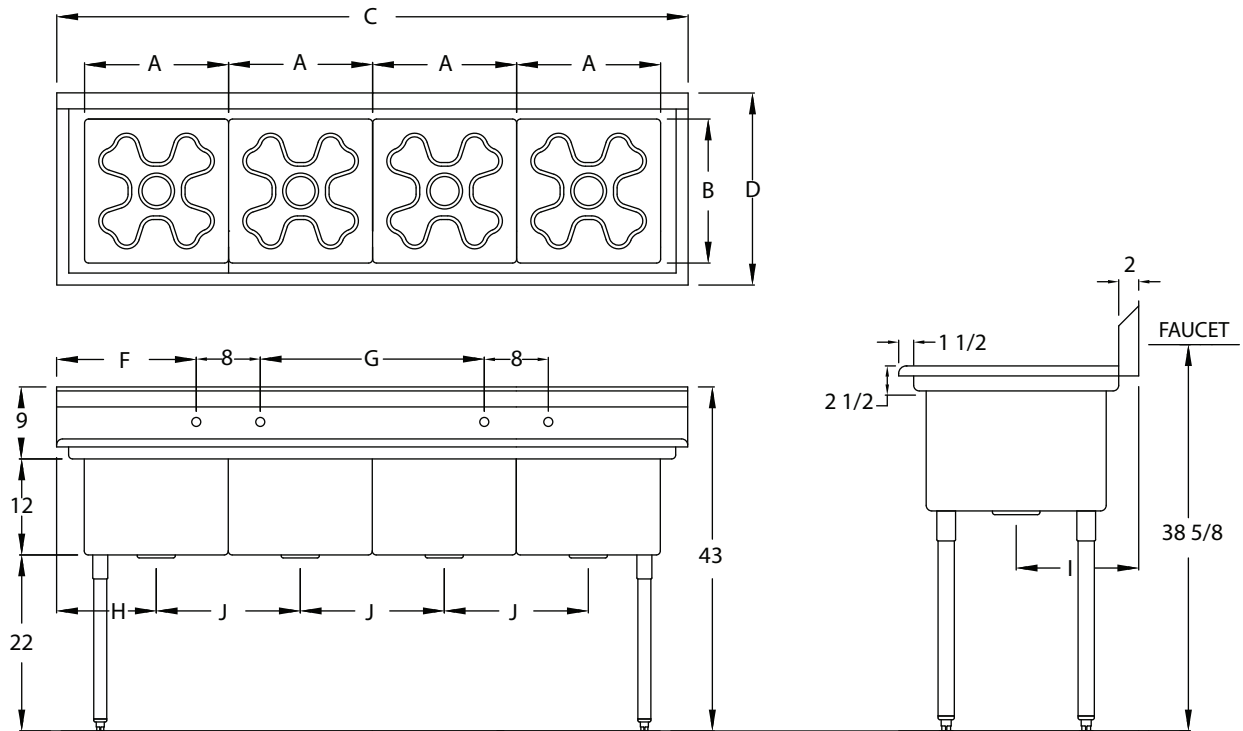


DIMENSIONS ARE TYPICAL (TOL. +/- 1/2")

MODEL	A	B	C	D	E	F	G	H	I	J
RJ-3-1818	18	18	61	24	N/A	26 1/2	N/A	12 1/2	12 1/4	18
RJ-3-1824	18	24	61	30	N/A	26 1/2	N/A	12 1/2	15 1/4	18
RJ-3-2020	20	20	67	26	N/A	29 1/2	N/A	13 1/2	13 1/4	20
* RJ-3-2424	24	24	79	30	N/A	23 1/2	16	15 1/2	15 1/4	24
RJ-3-2028	20	28	67	34	N/A	29 1/2	N/A	13 1/2	17 1/4	20
* RJ-3-2430	24	30	79	36	N/A	23 1/2	16	15 1/2	18 1/4	24

All three compartment sinks with bowls 24" or larger require a second set of faucet holes.

DIMENSIONS & SPECIFICATIONS



DIMENSIONS ARE TYPICAL (TOL. +/- 1/2")

MODEL	A	B	C	D	E	F	G	H	I	J
RJ-4-1818	18	18	79	24	N/A	17 1/2	28	12 1/2	12 1/4	18
RJ-4-1824	18	24	79	30	N/A	17 1/2	28	12 1/2	15 1/4	18
RJ-4-2020	20	20	87	26	N/A	19 1/2	32	13 1/2	13 1/4	20
RJ-4-2424	24	24	103	30	N/A	23 1/2	40	15 1/2	15 1/4	24
RJ-4-2028	20	28	87	34	N/A	19 1/2	32	13 1/2	17 1/4	20
RJ-4-2430	24	30	103	36	N/A	23 1/2	40	15 1/2	18 1/4	24



RJ Fabricators reserves the right to progressively alter our product specifications to maintain our premium quality.